

ORION "PREMIUM" BOLLARD

(COOL OR WARM LED - SENSOR OPERATION)



Features

This premium product provides exceptional dusk to dawn constant output lighting for commercial bollard lighting applications. The lamp housing is manufactured from moulded high impact polycarbonate, this combined with a stem and baseplate of powdercoated aluminium and tamper proof security fixings ensure the product is able to withstand the elements and is suitable for installation in public spaces. Additional features include hidden switch selectable, warm (3000k), daylight (4000k), or cool (6000k) LED C.C.T (colour) lighting and ON/OFF functions. The invisible 360° radar sensor detects movement, increasing the lamps output as you approach and dimming as you pass, ensuring maximum output is available when required.

- Microwave motion sensor operation
- High rating for resistance to physical impact
- Hidden switch selectable, Warm or cool LED
- > 3 nights autonomy
- IP65 Waterproof design
- Reinforced aluminium bollard & baseplate
- Custom bollard stem colours available
- Premium grade solar bollard lighting
- Symmetrical light pattern
- Stainless steel tamper proof fixings
- Australian Standard P4 compliant
- Automatic dusk to dawn lighting
- 2 year warranty for faulty workmanship or component failure not influenced by external means



Luminaire Height	900 mm
Lumen Output	>400 lm
LED Output	2.5W

ORION "PREMIUM" SOLAR BOLLARD SPECIFICATION

COOL OR WARM LED - SENSOR OPERATION

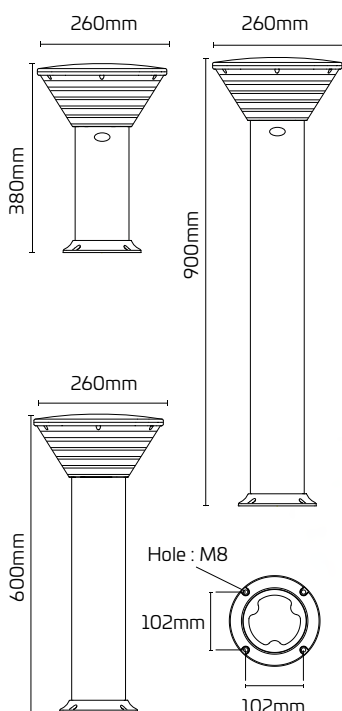
6.2W solar panel

51 x Osram 5050 LED

Powdercoated aluminum stem
Custom colours available

Reinforced baseplate and
optional tamperproof fixings

Alternative bollard stem lengths



Applications

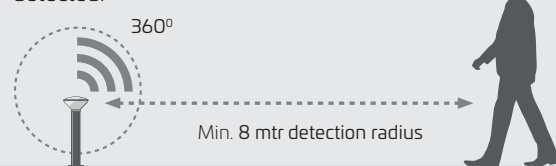
Premium solar bollard lighting applications

Technical Data

Solar Panel Wattage	6.2W
LED Output	2.5W
Lumen Output	>400 lm
Battery Type	LiFePO4
Battery Specifications	18AH 3.2V (57.6Wh)
Autonomy	> 3 nights
Fixture Size	900 x 260 x 110 mm
Light Source	51 x Osram 5050
Recharge	4-6 hours
Mounting Height	900mm
Mounting	Baseplated or Inground
Finish	Powder-coated black (standard)
Warranty Period	2 years
SKU	SOLB001/PREWSENS

Mode of Operation

Automatic dusk to dawn lighting. The 360° sensor detects movement, increasing the LED output to 100% as you approach. The lamp will dim to 30% output (variable) when movement is no longer detected.



As we continue to improve the products function and/or design specifications and data provided may change without notice. Errors and omissions accepted.