

8

7

6

5

4

3

2

1

F

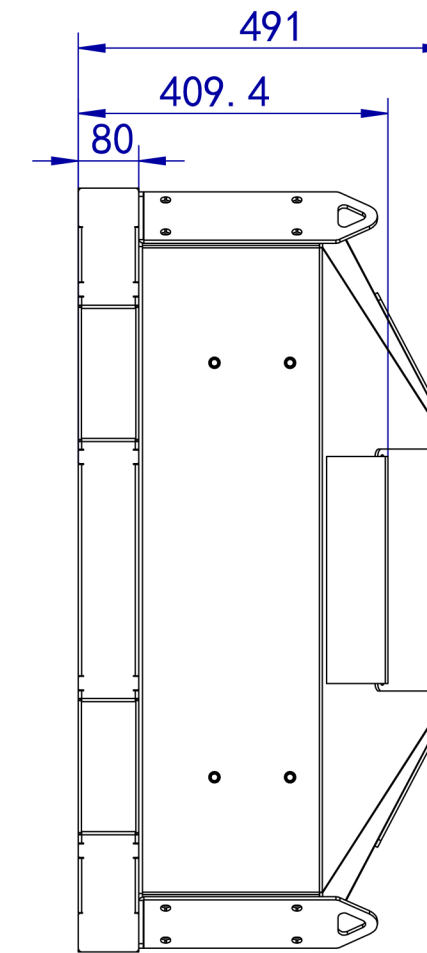
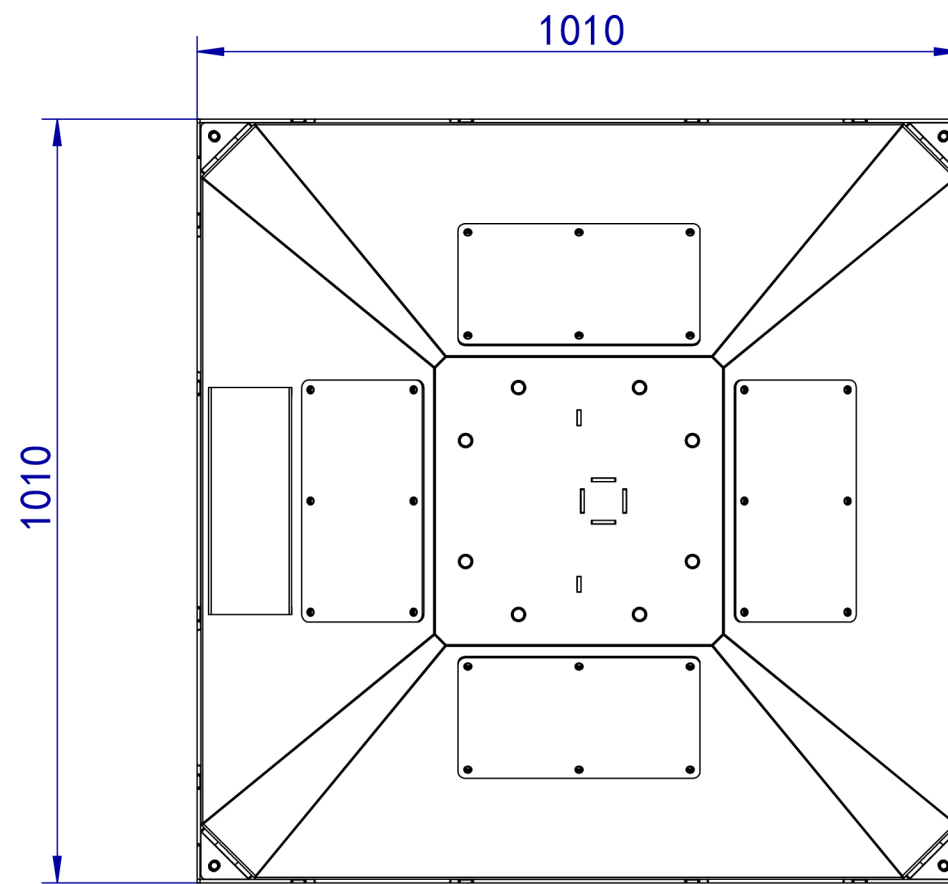
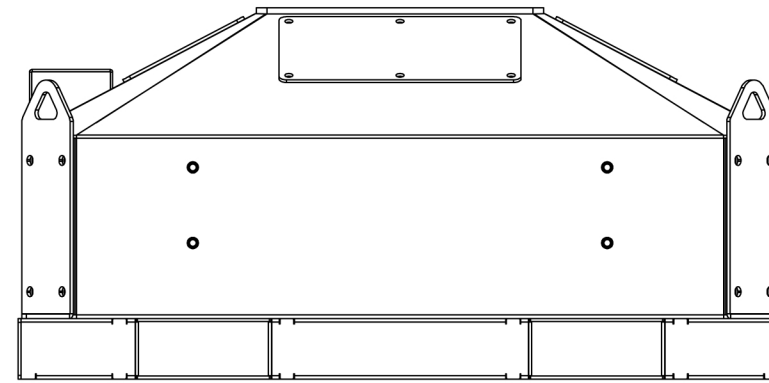
E


D

C

B

A



Dept.	Technical reference RSB300L	Created by	Approved by
		Document type	Document status
		Title SLD Relocatable Steel Base - 300L	DWG No.
Rev.	Date of issue	Sheet	1/1