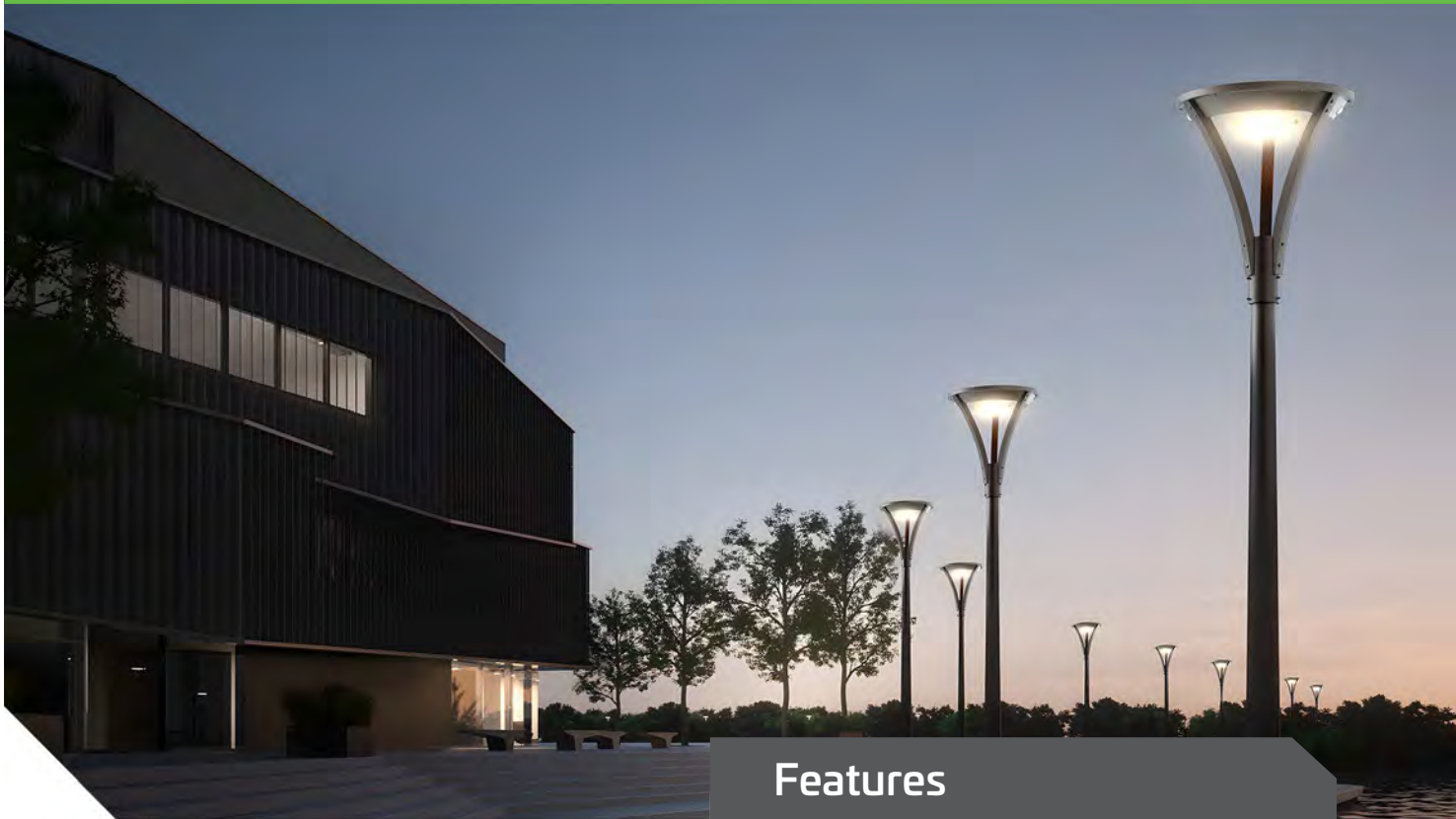


ALPHA 7 SOLAR LANDSCAPE LIGHT



Features

The Alpha range of solar courtyard and landscape lighting has been designed to be aesthetically pleasing and functional with exceptional light output over a wide area. With the body of the light manufactured from cast aluminium with a powdercoated finish they are well protected from the elements. The dual PIR sensors pick up movement, activating the lights when approaching from either direction, this combined with smart lighting control programming ensures superior dusk to dawn lighting without the need for trenching, cabling or an electrician. Designed for use in parks, gardens, driveways, courtyards, these lights will provide a functional feature in the landscape.



Luminaire Height	3 - 4m
Lumen Output	3000 lm
LED Output	15.8W

Stylish and functional solar lighting

Automatic dusk to dawn lighting

Ideal for illuminating courtyards, walkways and medium-sized areas

Premium Lithium-Ion battery

Dual 120° PIR sensors

Mounting height of 3- 4 metres

Fully sealed cast aluminium body in a powder coated black finish

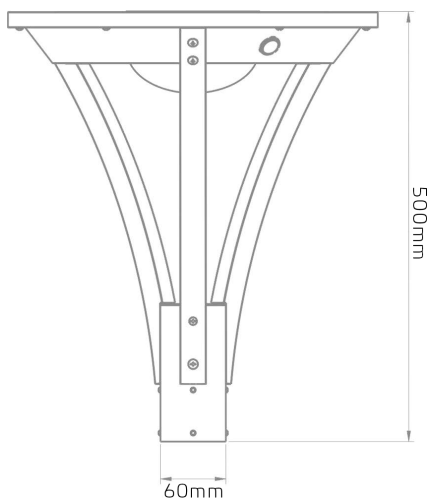
Premium-grade solar lighting

Custom powder coated poles manufactured on request

IK08 impact resistant lens and body

2 year warranty for faulty workmanship or component failure not influenced by external means

ALPHA 7 SOLAR LANDSCAPE LIGHT SPECIFICATION



Applications

Parks and gardens | Landscape lighting | Walkways

Technical Data

Solar Panel Wattage	18.75W
LED Output	15.8W
Lumen Output	3000 lm
Battery Type	Lithium-Ion
Battery Specifications	31.2AH 3.7V (115.44Wh)
Autonomy	>4 Nights
Correlated Colour Temp (CCT)	4000K
Fixture Size	450mm Dia x 500mm high
Light Source	Osram 3030
Recharge	7 hours
Mounting Height	3 - 4 metres
Mounting	60mm Spigot
Finish	Powder-coated cast aluminium
Warranty Period	2 years
SKU	SOLL019

Mode of Operation

Operational Modes are changed with the provided remote:

Mode 1: PIR Motion activated, 15%-100% dusk till dawn

Mode 2: 30% output for 5 hours, then 15%-100% PIR activated until dawn

Mode 3: Constant 35% output until dawn

As we continue to improve the products function and/or design specifications and data provided may change without notice. Errors and omissions accepted.