



ORION/ANDROMEDA PREMIUM INSTRUCTIONS



Vandal
resistant



Install it
yourself



Minimal
maintenance



Simple & low
install cost



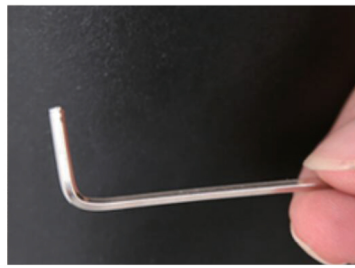
Ultra
brightness



Clear & green
energy

These instructions are suitable for the Orion/Andromeda Premium White and RGB Solar Lights

Contents:



(With RGB model)

Before first use:

As battery charge slowly depletes in storage it is recommended to expose the solar bollard to a full day's sun before first use. The battery may be fully discharged on arrival

Use the Allen key provided to loosen (no need to remove) the three grub screws securing the solar light head to the stem on the bollard. Remove the light head.



Orion Premium RGB - Press the red ON/OFF button once, the light will operate and is now controllable by the supplied remote.

Orion Premium White (no remote)- Press the red ON/OFF button once, the light will operate at 6000k (kelvin) cool white. 2nd press of the button the light will operate at 4000k, daylight. 3rd press of the button the light will operate at 3000k, warm white. 4th press of the button turns the light off. Select the preferred CCT.

Return the light head to the stem and resecure.

Control Instructions:

— Turn ON the light . Or Press it for 4 seconds to reset to default setting.

○ Turn OFF the light

☀ Warm White 3000k and adjust the CCT

❄ Cool White 6500K and adjust the CCT

+ ☀ Increase the brightness

- ☀ Decrease the brightness

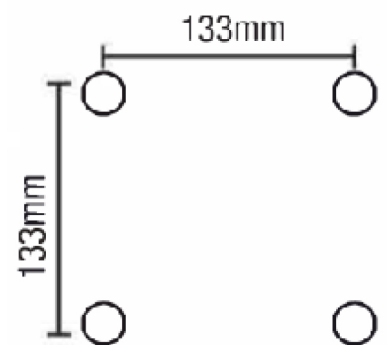
4H Set the light to work 4 hours per night

8H Set the light to work 8 hours per night

🌈 Use colour wheel to set colour



Baseplate Template



Remark

- Press ON button — for 4 seconds, light will be reset as white color 6000K and work for 12 hours.
- If light does not react to remote instruct, turn on/off light again to restart the light.
- Control distance is up to 25 meters in open air.
- One remote can control up to 50 lights within valid distance 25 meters.
- Light will blink twice as indicator when select 4H or 8H successfully.
- If in cloudy days or in winter, please adjust the power to save energy to work long time