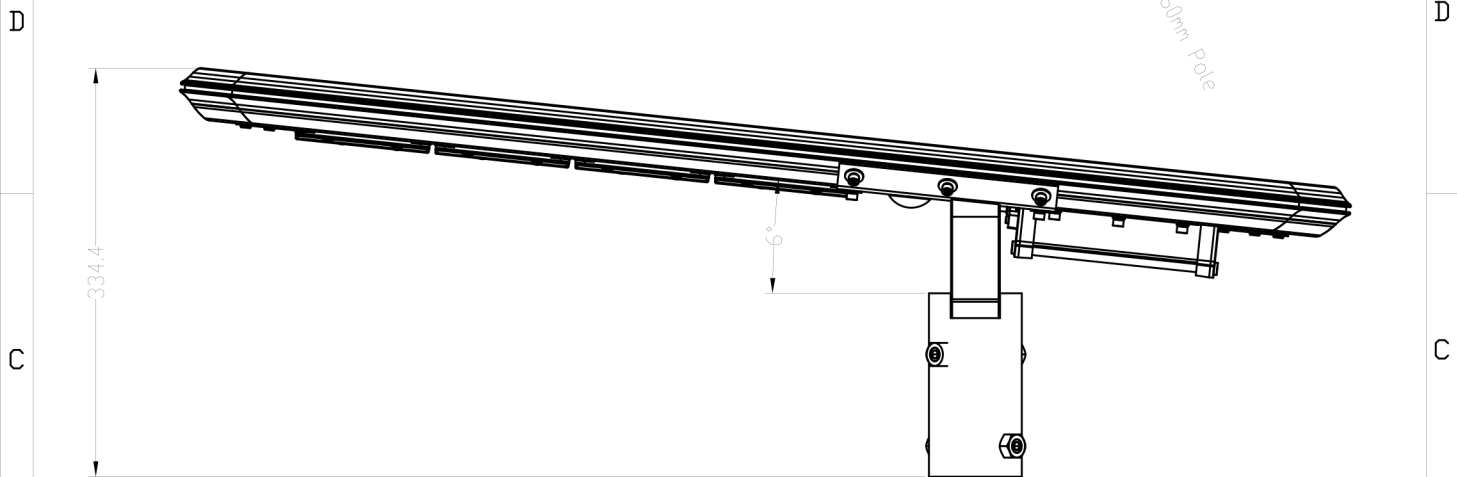
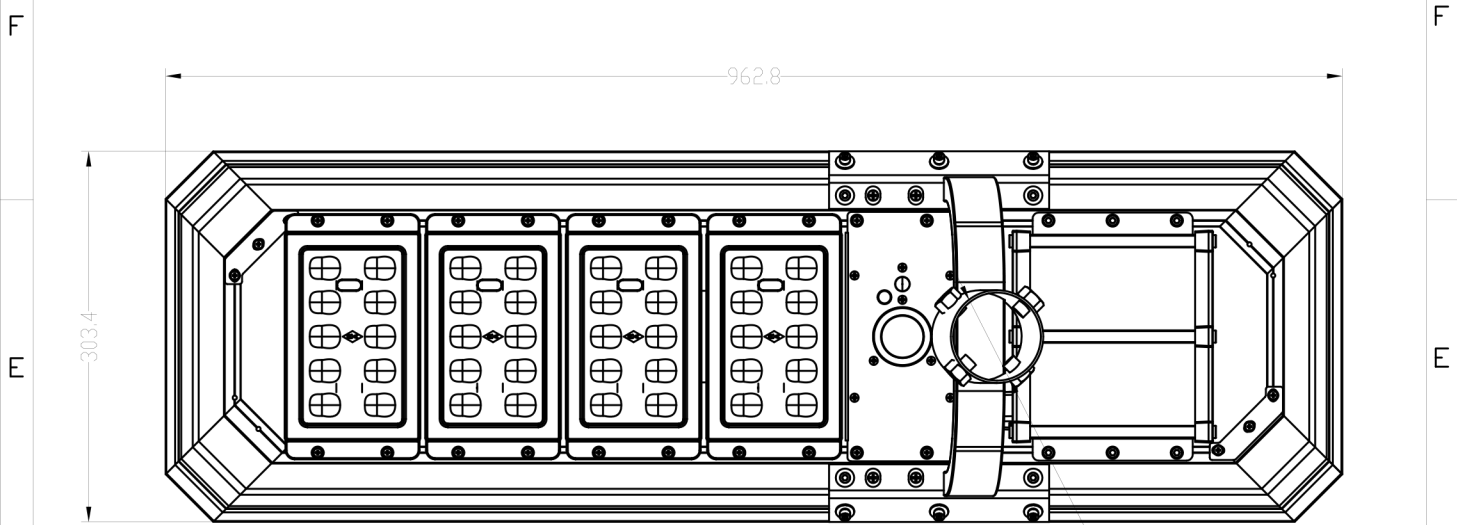

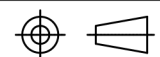


NO	DESCRIPTION	DRAWN	DATE
1			



Atlas 40w solar car park / street light			
 solarlightingdesigns.eco	SKU	SOLL40	
	Lm	4300 lumens	
	Height	4-5metres	
	mm		
	1:1		